

SA-6 Area Alarm Computer Interface



About this manual

When you see this symbol, the associated text in **bold type** refers to something which may cause danger or damage.

The Computer Interface decodes the SA6 Repeater multiplexed signals and switches relays which provide volt-free contacts for each alarm condition. Each relay provides a pair of contacts via separate terminals (e.g., where a single common is required - link across to one side of every contact pair to be monitored). There are relays provided to correspond to 'High' & 'Low' level warning for each of the 6 system gases.

Mounting

Fix the plastic box securely to the wall using the mounting holes at each corner.

Connecting

Bring the cables into the box using the holes provided.

Remove the **“Warning”** cover to reveal the mains terminals.

Connect 230-volt 50/60 Hertz live, neutral & earth to the appropriate terminals.

Make a small cutout in the side of the cover to allow the cable to pass and replace the cover.

The three core inter-panel wiring is connected to the D, S, & - Ve terminals to the DO, SO & CM terminals on the SA-6 area alarm (using a cable size of at least 0.5sq mm, cable may be a maximum of 100 meters).

Supply



This equipment is not suitable for connection to an IT power source.

A readily accessible disconnect device must be provided.

The supply must be fused at 3 amps.

The Maximum Prospective Fault Current must not exceed 1500 amps.

The cable must not be shared with any other system. Cables must have a minimum of 20mm clearance from all other cables.

Outputs

Connect relay outputs as required.

The contacts are closed, opening in the event of an alarm condition or power failure.

The contacts are rated at 50v, 0.5A resistive

Output signals should be within 3 Meters of Interface

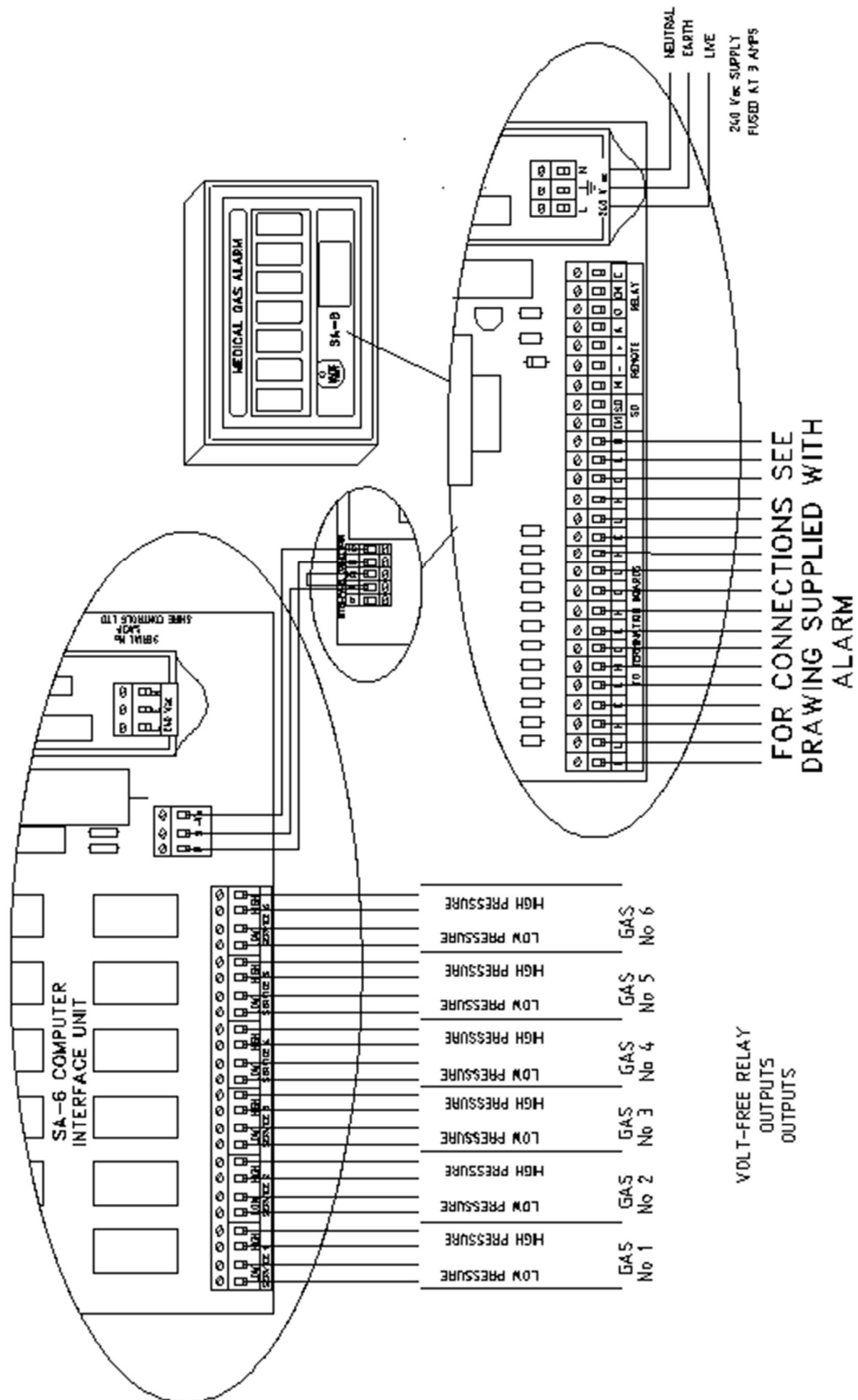


Figure 1: Alarm & Interface Set-up